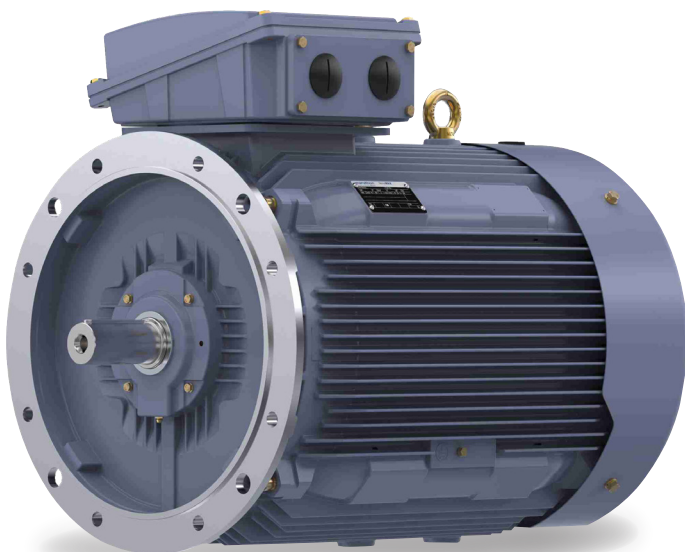


MARATHON™ TERRAMAX™ TCA (IE3) MOTORS AT 50°C AMB

OCTOBER 2022 | INDIA





MARATHON™ TERRAMAX™ TCA (IE3) MOTORS 50°C AMB Ready For Tough Environments & Industrial Applications

TCA series motors, built on the global low voltage TerraMAX motor platform, are IE3 efficiency totally enclosed fan cooled motors suitable for general industry applications. The TCA series motors inherit the state of the art premium features of TerraMAX motor platform, while delivering energy savings for the industry. The rugged construction of the TCA series motors meets the industry requirement for all tough and demanding applications.

SPECIFICATIONS

- Output: 0.75kW to 375kW (1HP to 500HP)
- Pole: 2 to 8 pole
- Frame: IEC®* 80 – 355
- Standards: Confirms to IS 12065 / IEC 60034
- Power supply: Standard 415V , 50 Hz (Voltages 200V to 690V & frequency 60Hz on request)
- Ambient: 50°C (Higher ambient on request)
- Construction: Cast iron with integrally cast feet
- Drive Suitability: Suitable for variable torque duty (10:1)
- Terminal box: Cast iron with special captive screws and metric cable entry
- Connection: ≤ 3kW: Star connection, > 3kW: Delta connection
- Protection: IP55 (higher protection class on request)
- Insulation: Class F with class B temperature rise
- Bearings: Ball bearing (roller & insulated bearing on request) for IEC 80-180
- Fan: Bi-directional fan
- Mounting: All standard mountings B3, B5, B35, V1 (B14 and B34 for IEC 80-132)

OPTIONAL ACCESSORIES

Space heaters, RTD, BTD, cable glands, brakes, encoders and canopy for V1 mounting. For additional details, please contact our technical support team.

APPLICATIONS

- Pumps
- Machine tools
- Crane & hoist
- Agitator
- Fans
- Material handling
- Textile Machinery
- Packing equipments
- Compressors
- Plastic extruder
- Stone Processing Machinery
- Oil Expeller

CERTIFICATIONS (ON REQUEST)



The following trademarks and/or trade names are not owned or controlled by Regal Rexnord Corporation: BIS is a trademark of Bureau of Indian Standards; CCC is a trademark of Certification and Accreditation Administration of the People's Republic of China; CE is a trademark of European Unions; CSA is a trademark of CSA Group; IEC is a trademark or trade name of International Electrotechnical Commission; UL is a trademark of Underwriters Laboratories.



PERFORMANCE DATA

2 POLE													
Model Number	Frame	Rated (kW)	Speed (RPM)	Full Load Amp 415V	Power factor	Efficiency			Starting Current (I _{LR} /I _{RATED})	Starting Torque (T _{LR} /T _{RATED})	Breakdown Torque (T _{BD} /T _{RATED})	Moment of Inertia (kgm ²)	Weight (kg)
						100%	75%	50%					
TCA P751A3111GACD01	80M	0.75	2880	1.6	0.83	80.7	80.7	75.6	6.5	3.0	3.3	0.0013	18.5
TCA1P11A3111GACD01	80M	1.1	2878	2.2	0.84	82.7	82.7	79.3	6.8	3.2	3.3	0.0016	20.0
TCA1P51A3111GACD01	90S	1.5	2888	2.9	0.85	84.2	84.2	81.8	7.5	3.5	3.5	0.0021	24.5
TCA2P21A3111GACD01	90L	2.2	2889	4.0	0.88	85.9	85.9	84.7	8.1	3.8	3.6	0.0029	28.0
TCA0031A3111GACD01	100L	3	2889	5.3	0.90	87.1	87.1	86.6	7.9	3.2	3.6	0.0042	38
TCA3P71A3111GACD01	100L	3.7	2880	6.3	0.93	87.8	87.8	88.4	7.7	3.3	3.5	0.0058	45
TCA0041A3111GACD01	112M	4	2921	7.0	0.90	88.1	88.1	88.1	8.6	2.7	3.7	0.0101	47
TCA5P51A3111GACD01	132S	5.5	2936	9.6	0.89	89.2	89.2	87.7	7.7	2.4	3.6	0.0184	75
TCA7P51A3111GACD01	132S	7.5	2934	12.9	0.90	90.1	90.1	89.3	7.8	2.6	3.6	0.0214	81
TCA0111A3111GACD01	160M	11	2955	18.9	0.89	91.2	91.2	89.7	7.9	2.3	3.7	0.0626	135
TCA0151A3111GACD01	160M	15	2956	25.5	0.89	91.9	91.9	90.9	8.4	2.6	3.9	0.0754	148
TCA18P1A3111GACD01	160L	18.5	2953	31	0.91	92.4	92.4	91.9	8.1	2.6	3.6	0.0928	172
TCA0221A3111GACD01	180M	22	2961	38	0.87	92.7	92.7	91.3	7.4	2.2	3.6	0.1399	207
TCA0301A3111GACD02	200L	30	2973	53	0.85	93.3	93.3	91.6	7.4	2.1	3.7	0.2430	266
TCA0371A3111GACD01	200L	37	2974	64	0.86	93.7	93.7	92.5	7.8	2.4	3.8	0.2934	296
TCA0451A3111GACD01	225M	45	2978	77	0.87	94.0	94.0	92.7	8.0	2.2	3.9	0.4264	399
TCA0551A3111GACD01	250M	55	2977	91	0.89	94.3	94.3	93.0	7.0	1.9	3.4	0.6214	489
TCA0751A3111GACD01	280S	75	2983	125	0.88	94.7	94.7	93.2	7.9	2.1	3.8	1.079	669
TCA0901A3111GACD01	280M	90	2982	148	0.89	95.0	95.0	93.9	7.6	2.1	3.6	1.181	723
TCA1101A3111GACD01	315S	110	2983	183	0.88	95.2	95.2	92.7	7.2	2.0	3.6	2.227	975
TCA1321A3111GACD01	315M	132	2984	216	0.89	95.4	95.4	93.3	7.4	2.2	3.7	2.424	1025
TCA1601A3111GACD01	315L	160	2983	262	0.89	95.6	95.6	94.0	7.3	2.2	3.6	2.764	1151
TCA2001A3111GACD01	315L	200	2984	326	0.89	95.8	95.8	94.6	7.3	2.3	3.6	3.091	1231
TCA2501A3111GACD01	355M	250	2983	403	0.90	95.8	95.8	94.2	6.9	2.0	3.3	4.073	1717
TCA3151A3111GACD01	355L	315	2984	508	0.90	95.8	95.8	94.9	7.0	2.1	3.3	4.743	1856
TCA3551A3111GACD01	355L	355	2987	579	0.89	95.8	95.8	95.0	8.6	2.8	4.0	5.796	2082
TCA3751A3111GACD01	355L	375	2986	605	0.90	95.8	95.8	95.2	8.1	2.6	3.7	5.796	2082
TCAP751A3131GACD01	80M	0.75	2880	1.6	0.83	80.7	80.7	75.6	6.5	3.0	3.3	0.0013	18.5
TCA1P11A3131GACD01	80M	1.1	2878	2.2	0.84	82.7	82.7	79.3	6.8	3.2	3.3	0.0016	20.0
TCA1P51A3131GACD01	90S	1.5	2888	2.9	0.85	84.2	84.2	81.8	7.5	3.5	3.5	0.0021	24.5
TCA2P21A3131GACD01	90L	2.2	2889	4.0	0.88	85.9	85.9	84.7	8.1	3.8	3.6	0.0029	28.0
TCA0031A3131GACD01	100L	3	2889	5.3	0.90	87.1	87.1	86.6	7.9	3.2	3.6	0.0042	38

4 POLE													
Model Number	Frame	Rated (kW)	Speed (RPM)	Full Load Amp 415V	Power factor	Efficiency			Starting Current (I _{LR} /I _{RATED})	Starting Torque (T _{LR} /T _{RATED})	Breakdown Torque (T _{BD} /T _{RATED})	Moment of Inertia (kgm ²)	Weight (kg)
						100%	75%	50%					
TCAP752A3111GACD01	80M	0.75	1446	1.7	0.75	82.5	82.5	77.6	6.6	3.0	3.0	0.0031	21.5
TCA1P12A3111GACD01	80M	1.1	1450	2.4	0.77	84.1	84.1	79.1	6.8	2.9	3.4	0.0045	24.5
TCA1P52A3111GACD01	90S	1.5	1448	3.2	0.77	85.3	85.3	80.3	7.0	3.0	3.4	0.0052	26.0
TCA2P22A3111GACD01	90L	2.2	1456	4.2	0.84	86.7	86.7	85.1	7.0	2.3	2.9	0.0115	38.8
TCA0032A3111GACD01	100L	3	1458	5.7	0.84	87.7	87.7	86.2	7.7	2.6	3.1	0.0145	44
TCA3P72A3111GACD01	112M	3.7	1460	7.1	0.82	88.4	88.4	87.7	7.5	1.8	2.8	0.0192	54
TCA0042A3111GACD01	112M	4	1457	7.6	0.83	88.6	88.6	88.1	8.4	3.2	3.6	0.0192	54
TCA5P52A3111GACD01	132S	5.5	1468	10.2	0.84	89.6	89.6	89.7	6.7	2.3	2.7	0.0446	83
TCA7P52A3111GACD01	132S	7.5	1470	13.9	0.83	90.4	90.4	90.4	7.5	2.8	3.0	0.0550	93
TCA0112A3111GACD01	160M	11	1475	19.9	0.84	91.4	91.4	90.6	7.3	2.5	3.3	0.1200	147
TCA0152A3111GACD01	160M	15	1476	26.7	0.85	92.1	92.1	91.6	7.6	2.7	3.4	0.1597	178
TCA18P2A3111GACD01	160L	18.5	1477	33	0.83	92.6	92.6	92.2	7.3	2.5	3.3	0.2209	218
TCA0222A3111GACD01	180M	22	1478	40	0.82	93.0	93.0	92.5	7.5	2.7	3.5	0.2415	237
TCA0302A3111GACD01	200L	30	1479	52	0.85	93.6	93.6	93.6	6.6	2.2	2.9	0.4488	271

The values shown are subject to change without prior notice.
The information contained is reference values.

For more information, refer to manufacturer.

PERFORMANCE DATA

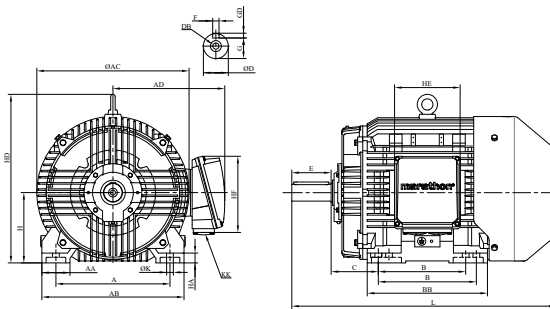
4 POLE													
Model Number	Frame	Rated (kW)	Speed (RPM)	Full Load Amp 415V	Power factor	Efficiency			Starting Current (I _{LR} /I _{RATED})	Starting Torque (T _{LR} /T _{RATED})	Breakdown Torque (T _{BD} /T _{RATED})	Moment of Inertia (kgm ²)	Weight (kg)
						100%	75%	50%					
TCA0372A3111GACD01	200L	37	1484	64	0.85	93.9	93.9	94.0	7.3	2.4	3.1	0.6683	381
TCA0452A3111GACD01	225M	45	1483	78	0.85	94.2	94.2	94.2	7.2	2.4	3.0	0.7130	394
TCA0552A3111GACD01	250M	55	1487	94	0.86	94.6	94.6	94.0	7.2	2.2	3.4	1.3974	535
TCA0752A3111GACD01	280S	75	1489	126	0.87	95.0	95.0	94.0	6.4	2.3	2.7	2.230	713
TCA0902A3111GACD01	280M	90	1489	151	0.87	95.2	95.2	94.5	6.4	2.4	2.7	2.384	755
TCA1102A3111GACD01	315S	110	1487	182	0.88	95.4	95.4	95.0	6.5	1.9	2.9	3.448	962
TCA1322A3111GACD01	315M	132	1488	218	0.88	95.6	95.6	95.2	6.8	2.1	3.0	3.758	1016
TCA1602A3111GACD01	315L	160	1488	264	0.88	95.8	95.8	95.6	6.9	2.2	3.1	4.442	1157
TCA2002A3111GACD01	315L	200	1488	326	0.89	96.0	96.0	95.8	6.9	2.2	3.0	5.062	1246
TCA2502A3111GACD01	355M	250	1490	407	0.89	96.0	96.0	95.8	6.5	1.9	2.5	8.443	1743
TCA3152A3111GACD01	355L	315	1489	507	0.90	96.0	96.0	96.2	6.2	1.8	2.3	10.176	1914
TCA3552A3111GACD01	355L	355	1490	572	0.90	96.0	96.0	96.2	6.9	2.1	2.5	10.945	1979
TCA3752A3111GACD01	355L	375	1490	604	0.90	96.0	96.0	96.3	6.6	2.1	2.4	11.138	2004

6 POLE													
Model Number	Frame	Rated (kW)	Speed (RPM)	Full Load Amp 415V	Power factor	Efficiency			Starting Current (I _{LR} /I _{RATED})	Starting Torque (T _{LR} /T _{RATED})	Breakdown Torque (T _{BD} /T _{RATED})	Moment of Inertia (kgm ²)	Weight (kg)
						100%	75%	50%					
TCAP753A3111GACD01	90S	0.75	946	2.1	0.64	78.9	78.9	71.1	4.8	3.0	3.1	0.0036	24.5
TCA1P13A3111GACD01	90L	1.1	941	2.9	0.66	81.0	81.0	74.8	4.8	3.0	3.0	0.0046	27.0
TCA1P53A3111GACD01	100L	1.5	966	3.4	0.74	82.5	82.5	77.8	5.9	2.2	2.7	0.0143	36
TCA2P23A3111GACD01	112M	2.2	958	5.0	0.73	84.3	84.3	82.4	5.9	2.5	2.8	0.0158	47
TCA0033A3111GACD01	132S	3	973	6.9	0.71	85.6	85.6	84.3	5.5	2.0	2.6	0.0390	67
TCA3P73A3111GACD01	132S	3.7	973	7.8	0.76	86.5	86.5	86.7	5.6	2.0	2.5	0.0494	74
TCA0043A3111GACD01	132M	4	973	8.7	0.74	86.8	86.8	85.9	5.6	2.1	2.6	0.0494	74
TCA5P53A3111GACD01	132M	5.5	973	11.4	0.76	88.0	88.0	88.0	5.9	2.2	2.6	0.0660	85
TCA7P53A3111GACD01	160M	7.5	976	14.6	0.80	89.1	89.1	88.7	5.3	1.8	2.4	0.1355	135
TCA0113A3111GACD01	160L	11	977	21.5	0.79	90.3	90.3	89.6	5.6	2.0	2.6	0.1811	163
TCA0153A3111GACD01	180L	15	982	29.3	0.78	91.2	91.2	90.7	6.1	2.1	2.7	0.3035	221
TCA18P3A3111GACD01	200L	18.5	984	35	0.80	91.7	91.7	91.6	5.8	2.0	2.4	0.5179	256
TCA0223A3111GACD01	200L	22	984	41	0.80	92.2	92.2	92.1	6.0	2.1	2.5	0.6070	277
TCA0303A3111GACD01	225M	30	987	54	0.83	92.9	92.9	91.9	6.8	2.2	2.9	0.9206	377
TCA0373A3111GACD01	250M	37	987	67	0.82	93.3	93.3	92.8	6.8	2.4	2.9	1.608	488
TCA0453A3111GACD01	280S	45	989	82	0.81	93.7	93.7	92.9	6.1	1.9	2.6	2.238	593
TCA0553A3111GACD01	280M	55	989	98	0.83	94.1	94.1	93.7	6.2	1.9	2.5	2.673	616
TCA0753A3111GACD01	315S	75	989	136	0.81	94.6	94.6	94.4	5.1	1.6	2.2	3.373	822
TCA0903A3111GACD01	315M	90	990	161	0.82	94.9	94.9	94.7	5.2	1.7	2.2	3.928	888
TCA1103A3111GACD01	315L	110	990	196	0.82	95.1	95.1	95.0	5.4	1.8	2.2	4.773	1013
TCA1323A3111GACD01	315L	132	990	232	0.83	95.4	95.4	95.2	5.4	1.9	2.2	5.466	1084
TCA1603A3111GACD01	355M	160	991	277	0.84	95.6	95.6	95.6	6.1	1.9	2.5	8.570	1618
TCA2003A3111GACD01	355M	200	991	342	0.85	95.8	95.8	95.9	6.0	1.9	2.5	9.915	1735
TCA2503A3111GACD01	355L	250	991	427	0.85	95.8	95.8	95.9	6.1	2.0	2.5	11.708	1889

The values shown are subject to change without prior notice.
The information contained is reference values.

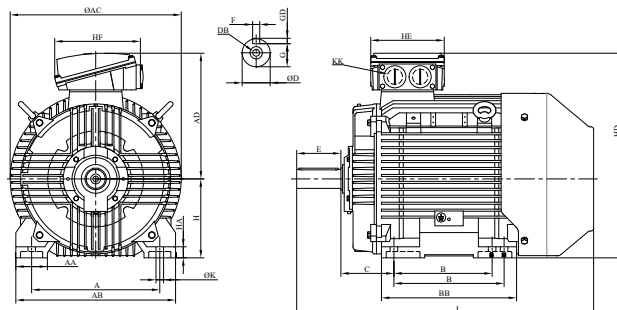
For more information, refer to manufacturer.

DIMENSIONAL DRAWINGS



TCA - B3 STB

Frame	Pole	A	AA	AB	AC	AD	B	BB	C	D	DB	E	F	GD	G	H	HA	HD	HE	HF	K	KK	L
80M	2-8P	125	30	152	182	163	100	125	50	19	M6	40	6	6	15.5	80	9	174	131	150	10	M20	281
90S	2-8P	140	35	165	199	171	100	125	56	24	M8	50	8	7	20	90	9	190	131	150	10	M20	307
90L	2-8P	140	35	165	199	171	100/125	150	56	24	M8	50	8	7	20	90	9	190	131	150	10	M20	332
100L	2-8P	160	32	192	229	185	140	170	63	28	M10	60	8	7	24	100	13	254	131	150	12	M20	398
112M	2-8P	190	38	222	256	197	114/140	170	70	28	M10	60	8	7	24	112	12	276	131	150	12	M25	399
132S	2-8P	216	40	255	295	232	140	172	89	38	M12	80	10	8	33	132	13	322	161	180	12	M25	465
132M	2-8P	216	40	255	295	232	140/178	210	89	38	M12	80	10	8	33	132	13	322	161	180	12	M25	503
160M	2-8P	254	65	315	352	260	210	244	108	42	M16	110	12	8	37	160	22	388	177	196	14.5	M32	622
160L	2-8P	254	65	315	352	260	210/254	288	108	42	M16	110	12	8	37	160	22	388	177	196	14.5	M32	666
180M	2-8P	279	75	354	399	282	241	322	121	48	M16	110	14	9	42.5	180	30	447	177	196	14.5	M32	712
180L	2-8P	279	75	354	399	282	241/279	360	121	48	M16	110	14	9	42.5	180	28	447	177	196	14.5	M32	750
200L	2-8P	318	80	398	446	330	305/267	361	133	55	M20	110	16	10	49	200	23	492	203	241	18.5	M40	769
225S	4-8P	356	90	446	491	355	286	380	149	60	M20	140	18	11	53	225	29	546	203	241	18.5	M40	837
225M	2P	356	90	446	491	355	286/311	405	149	55	M20	110	16	10	49	225	29	546	203	241	18.5	M40	832
225M	4-8P	356	90	446	491	355	286/311	405	149	60	M20	140	18	11	53	225	29	546	203	241	18.5	M40	862
250M	2P	406	100	506	542	398	311/349	428	168	60	M20	140	18	11	53	250	35	600	233	271	24	M50	941
250M	4-8P	406	100	506	542	398	311/349	428	168	65	M20	140	18	11	58	250	35	600	233	271	24	M50	941
280S	2P	457	100	557	595	422	368	519	190	65	M20	140	18	11	58	280	38	680	233	271	24	M50	1060
280S	4-8P	457	100	557	595	422	368	519	190	75	M20	140	20	12	67.5	280	38	680	233	271	24	M50	1060
280M	2P	457	100	557	595	452	368/419	570	190	65	M20	140	18	11	58	280	38	680	233	271	24	M50	1111
280M	4-8P	457	100	557	595	452	368/419	570	190	75	M20	140	20	12	67.5	280	38	680	233	271	24	M50	1111
315M	2P	508	120	628	652	539	406/457	607	216	65	M20	140	18	11	58	315	48.5	736	352	436	28	M63	1176
315M	4-8P	508	120	628	652	539	406/457	607	216	80	M20	170	22	14	71	315	48.5	736	352	436	28	M63	1206
315L	2P	508	120	628	652	539	457/508	718	216	65	M20	140	18	11	58	315	48.5	736	352	436	28	M63	1287
315L	4-8P	508	120	628	652	539	457/508	718	216	80	M20	170	22	14	71	315	48.5	736	352	436	28	M63	1317
355L	2P	610	120	730	762	656	560/630	796	254	75	M24	140	20	12	67.5	355	48	864	423	535	28	M63	1512
355L	4-8P	610	120	730	762	656	560/630	796	254	95	M24	170	25	14	86	355	48	864	423	535	28	M63	1542



TCA - B3 TB TOP

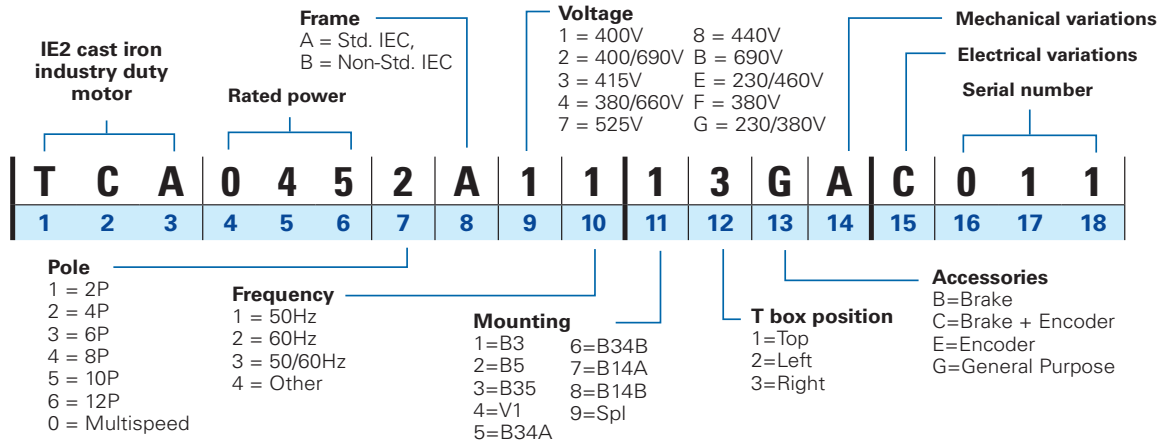
Frame	Pole	A	AA	AB	AC	AD	B	BB	C	D	DB	E	F	GD	G	H	HA	HD	HE	HF	K	KK	L
80M	2-8P	125	30	152	182	162	100	125	50	19	M6	40	6	6	15.5	80	9	241	122	157	10	M20	281
90S	2-8P	140	35	165	199	170	100	125	56	24	M8	50	8	7	20	90	9	259	122	157	10	M20	307
90L	2-8P	140	35	165	199	170	100/125	150	56	24	M8	50	8	7	20	90	9	259	122	157	10	M20	332
100L	2-8P	160	32	192	229	183	140	170	63	28	M10	60	8	7	24	100	13	283	122	157	12	M20	398
112M	2-8P	190	38	222	256	194	140	170	70	28	M10	60	8	7	24	112	12	306	122	157	12	M25	399
132S	2-8P	216	40	255	295	227	140	172	89	38	M12	80	10	8	33	132	13	359	146	195	12	M25	465
132M	2-8P	216	40	255	295	227	140/178	210	89	38	M12	80	10	8	33	132	13	359	146	195	12	M25	503
160M	2-8P	254	65	315	352	260	210	244	108	42	M16	110	12	8	37	160	22	420	177	196	14.5	M32	622
160L	2-8P	254	65	315	352	260	210/254	288	108	42	M16	110	12	8	37	160	22	420	177	196	14.5	M32	666
180M	2-8P	279	75	354	399	282	241	322	121	48	M16	110	14	9	42.5	180	28	462	177	196	14.5	M32	712
180L	2-8P	279	75	354	399	282	241/279	360	121	48	M16	110	14	9	42.5	180	28	462	177	196	14.5	M32	750
200L	2-8P	318	80	398	446	330	305	361	133	55	M20	110	16	10	49	200	26	530	203	241	18.5	M40	769
225S	4-8P	356	90	446	491	355	286	380	149	60	M20	140	18	11	53	225	28	580	203	241	18.5	M40	837
225M	2P	356	90	446	491	355	286/311	405	149	55	M20	110	16	10	49	225	28	580	203	241	18.5	M40	832
225M	4-8P	356	90	446	491	355	286/311	405	149	60	M20	140	18	11	53	225	28	580	203	241	18.5	M40	862
250M	2P	406	100	506	542	398	311/349	428	168	60	M20	140	18	11	53	250	35	648	233	271	24	M50	941
250M	4-8P	406	100	506	542	398	311/349	428	168	65	M20	140	18	11	58	250	35	648	233	271	24	M50	941
280S	2P	457	100	557	595	422	368	519	190	65	M20	140	18	11	58	280	37.5	702	233	271	24	M50	1060
280S	4-8P	457	100	557	595	422	368	519	190	75	M20	140	20	12	67.5	280	37.5	702	233	271	24	M50	1060
280M	2P	457	100	557	595	422	368/419	570	190	65	M20	140	18	11	58	280	37.5	702	233	271	24	M50	1111
280M	4-8P	457	100	557	595	422	368/419	570	190	75	M20	140	20	12	67.5	280	37.5	702	233	271	24	M50	1111
315M	2P	508	120	628	652	519	406/457	607	216	65	M20	140	18	11	58	315	48.5	834	352	436	28	M63	1176
315M	4-8P	508	120	628	652	519	406/457	607	216	80	M20	170	22	14	71	315	48.5	834	352	436	28	M63	1206
315L	2P	508	120	628	652	519	457/508	718	216	65	M20	140	18	11	58	315	48.5	834	352	436	28	M63	1287
315L	4-8P	508	120	628	652	519	457/508	718	216	80	M20	170	22	14	71	315	48.5	834	352	436	28	M63	1317
355L	2P	610	120	730	762	643	560/630	770	254	75	M24	140	20	12	67.5	355	48	998	423	535	28	M63	1512
355L	4-8P	610	120	730	762	643	560/630	770	254	95	M24	170	25	14	86	355	48	998	423	535	28	M63	1542

The values shown are subject to change without prior notice.
The information contained is reference values.

For more information, refer to manufacturer.

PART NUMBER LOGIC

Marathon™ TerraMAX™ TCA series standard product code for IEC frame motors is shown below.



For additional details, please contact our technical support team.



marathon™ Motors

Industrial Systems Regal Rexnord

Marathon Electric Motors (India) Ltd.

1, Taratala Road, Kolkata,
West Bengal, 70024 INDIA
T: 033-44030501 / 033-44030502
MarathonElectric_Memi.Mktg@regalrexnord.com
www.regalrexnord.com

Marathon Electric Motors (India) Ltd.

B1/A, Gallops Industrial Park, Rajoda,
Ahmedabad Gujarat – 382220 INDIA
T +91-2717-622826
MarathonIndia_LTSales@RegalRexnord.com

The proper selection and application of products and components, including assuring that the product is safe for its intended use, are the responsibility of the customer. To view our Application Considerations, please visit <https://www.regalrexnord.com/Application-Considerations>

To view our Standard Terms and Conditions of Sale, please visit <https://www.regalrexnord.com/Terms-and-Conditions-of-Sale> (which may redirect to other website locations based on product family).

The following trademarks and/or trade names are not owned or controlled by Regal Rexnord Corporation: BIS is a trademark of Bureau of Indian Standards; CCC is a trademark of Certification and Accreditation Administration of the People's Republic of China; CE is a trademark of European Unions; CSA is a trademark of CSA Group; IEC is a trademark or trade name of International Electrotechnical Commission; UL is a trademark of Underwriters Laboratories.

"Regal Rexnord" is not indicative of legal entity. Refer to product purchase documentation for the applicable legal entity.

Regal Rexnord, Arrowhead, Berg, Browning, Cemp, Centa, Century, Durst, Elco, Falk, Fasco, Foote-jones, Genteq, Grove Gear, Hub City, Jaure, Kop-Flex, LEESON, Link-Belt, Marathon, McGill, Milwaukee Gear, Morrill motors, Morse, Nicotra Gebhardt, PSI, REX, Rexnord, Rotor NL, Rollway, SealMaster, Stearns, System Plast, Thompson Power System, TerraMAX and Tollok are trademarks of Regal Rexnord Corporation or one of its affiliated companies.

MCB22076E • Form# SB0316E